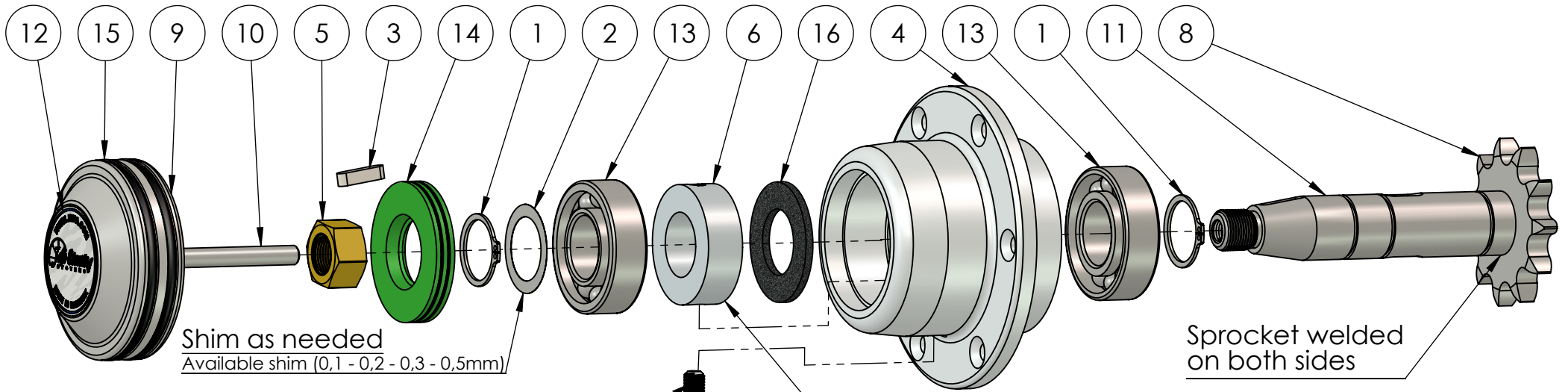


BS25 - Jefa bulkhead steerer 25mm shaft 11-19th sprocket



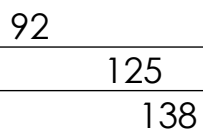
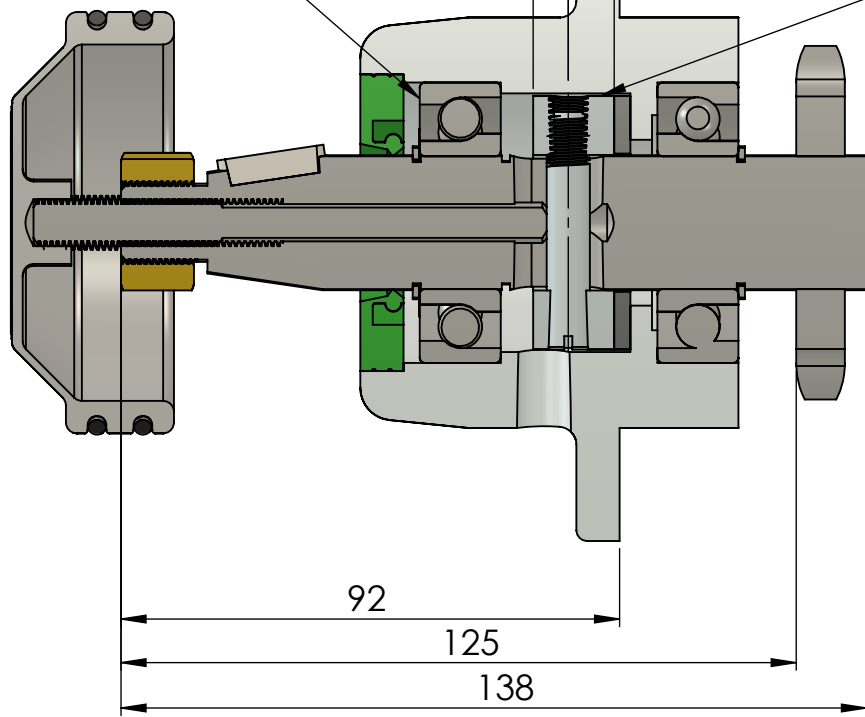
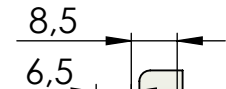
Shim as needed
Available shim (0,1 - 0,2 - 0,3 - 0,5mm)

Sprocket welded on both sides

Blue locktight

Use grease on bearing before mounting purlip

The braking is mounted with the wide side into bulkhead steerer



ITEM NO.	BS25 partlist	QTY.
1	Z-DIN0471-A25 Lockring outside A25 DIN471	2
2	Z-DIN0988-25x35x0.1 Shim Support Ring ø25xø35x0.1mm	1
3	Z-DIN6885-5x5x20	1
4	Z3-020 BS25 Bulkhead steerer	1
5	Z3-083 nut 5-8UNF brass	1
6	Z4-165 Brakering for input socket ø47	1
7	Z4-170 Brake pinion Ø8x44mm stainless	1
8	Z4-182 Platewheel 11 teeth stainless	1
9	Z4-375 Spinner brake hub	1
10	Z4-386S Spinnershaft short	1
11	Z4-627 BS 25 input shaft WP800	1
12	ZB0405 Jefa label round ø44mm clear with blue logo	1
13	ZBB-6205 ballbearing 2RS 25x52x15mm	2
14	ZP1-255508 Purlip seal ø25 x ø55	1
15	ZP3-102 O-ring 58,74x3,35	2
16	ZP6-160 Brakeplate 47x26x3mm	1